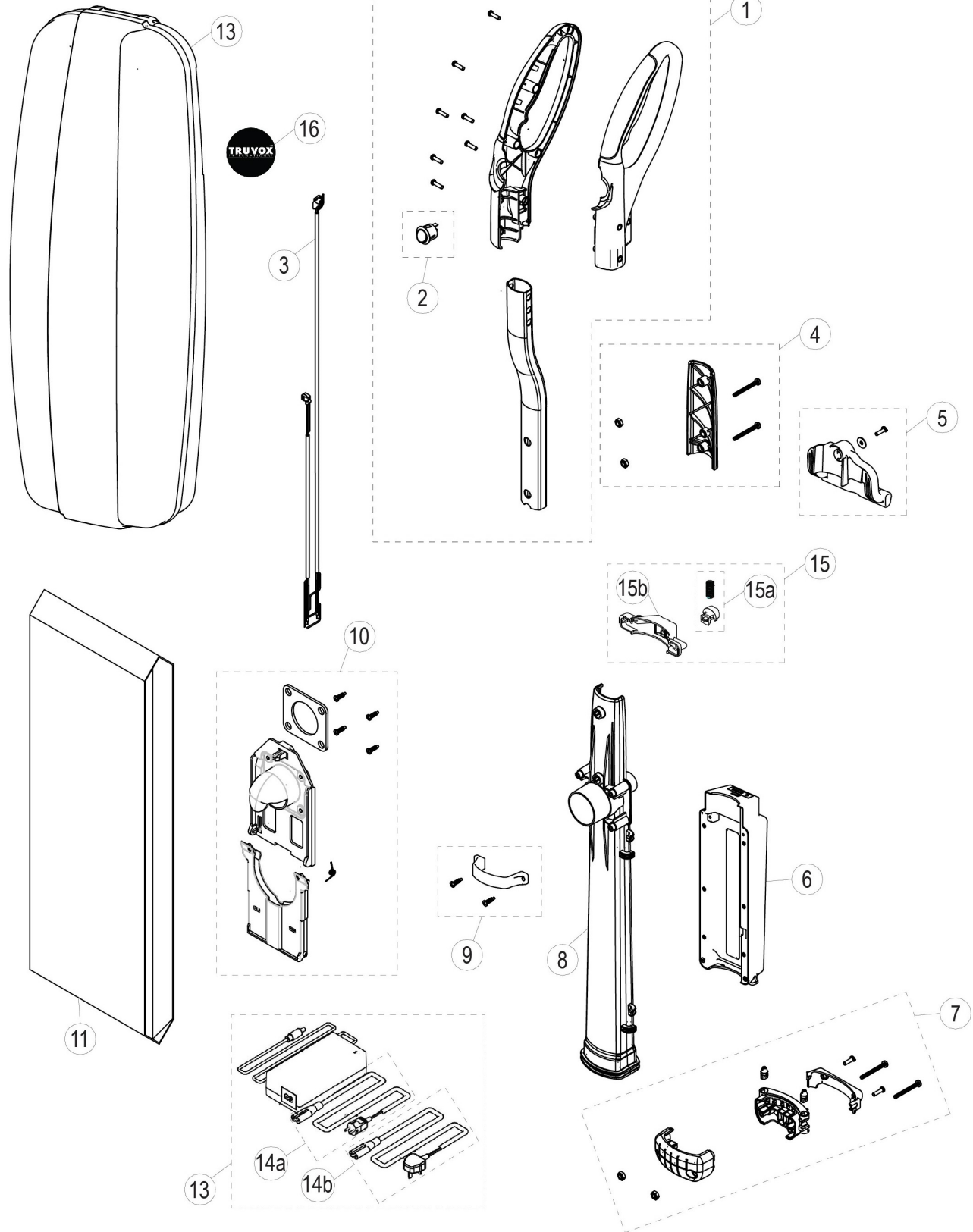


Tacony CFC		Valet Battery Upright II	
Part Number:	VBUII		
Series:	B		
Date:	20-Jan-23		
Reference Drawing Number:	09-1155-0000 & 09-1156-0000		
Reference Drawing Issue:	D		
Modified By:	J Clarke		
Service Parts List Issue:	6	ECN #	
Description of Change:	Additional EU Power Cord P/N	-	

Ref. No.	Part No.	Part Description	Qty
Draw Ref: 09-1155-0000 - HANDLE AND BODY ASSEMBLY			
1	D223-1100	Handle Assembly	1
2	A328-1500	Switch	1
3	B223-6000	Wiring Harness	1
4	D223-3000	Handle Back Cover	1
5	D223-1300	Carry Handle Assy	1
6	X9184	Battery	1
7	D223-1900	Neck Coupling Assy	1
8	B220-3014C	Handle Duct	1
9	D223-1800	Battery Clamp	1
10	D223-3800	Bag Mount Assy	1
11	05-4741-0000	Bag (Pack Of 10)	1
12	D220-5300	Hard Shell Bag	1
13	C223-2400	Charger (Inc EU And UK Cord)	1
14a	04-3981-0000	UK Charger Cord	1
14b	04-3978-0000	EURO Charger Cord	
15	05-4759-0000	Latch Assembly Teal	1
15a	D223-4160	Latch Button Teal Kit (including Spring)	1
15b	B223-4014	Latch Case	1
16	B206-6300	Badge - Truvox	1
Draw Ref: 09-1156-0000 - NOZZLE ASSEMBLY			
1	D223-2300	Motor Assembly	1
2	D220-2460B	Nozzle Cover Assy	1
3	B220-2614	Furniture Guard	1
4	D223-0700	Pedal Assy	1
5	D223-0800	Base Tray Assy	1
6	D223-0900	Wheel Assy	1
7	D220-0414	Baseplate Assembly	1
8	D223-1000	Small Wheel Assy	1
9	B317-1175K	LED PCA	1
10	D014-0814	Belt (Pack Of 2)	1
11	D012-2300	Agitator	1



Tacony CFC

HANDLE AND BODY ASSEMBLY

Part Number:

VBUII

Date: 21-Jan-19

Sheet no.

Drawing Number: 09-1155-0000

1 / 2

Drawing Issue: D

Modified By: B Panteny

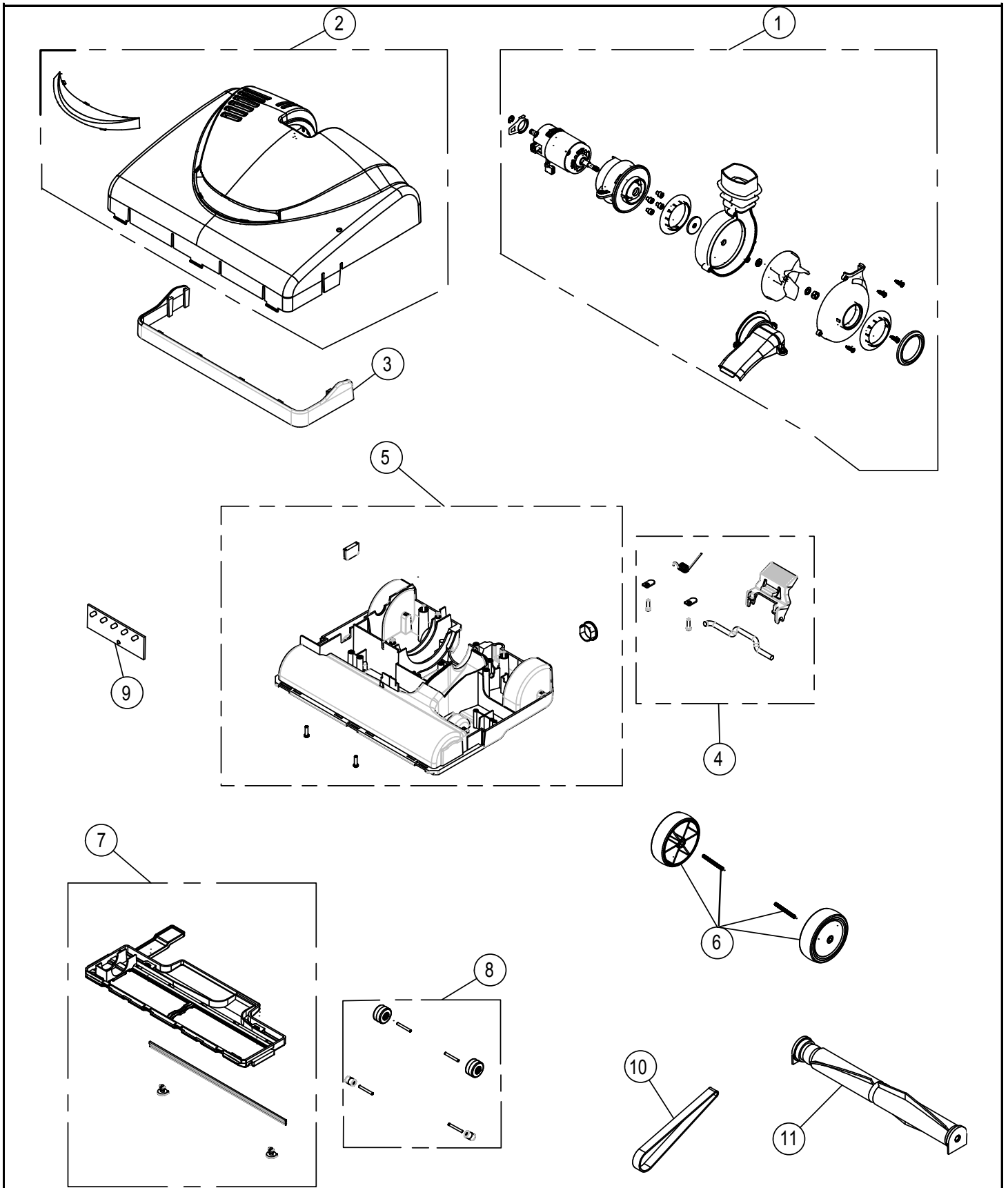
DESCRIPTION OF CHANGE

ECN #

Reference Parts List Issue: 6

-

-



Tacony CFC		NOZZLE ASSEMBLY	
Part Number:		VBU11	
Date:	21-Jan-19	Sheet no. 2 / 2	
Drawing Number:	09-1156-0000		
Drawing Issue:	D	DESCRIPTION OF CHANGE	
Modified By:	J WYLES		
Reference Parts List Issue:	5	-	-

PART NO.
09-1170-0000

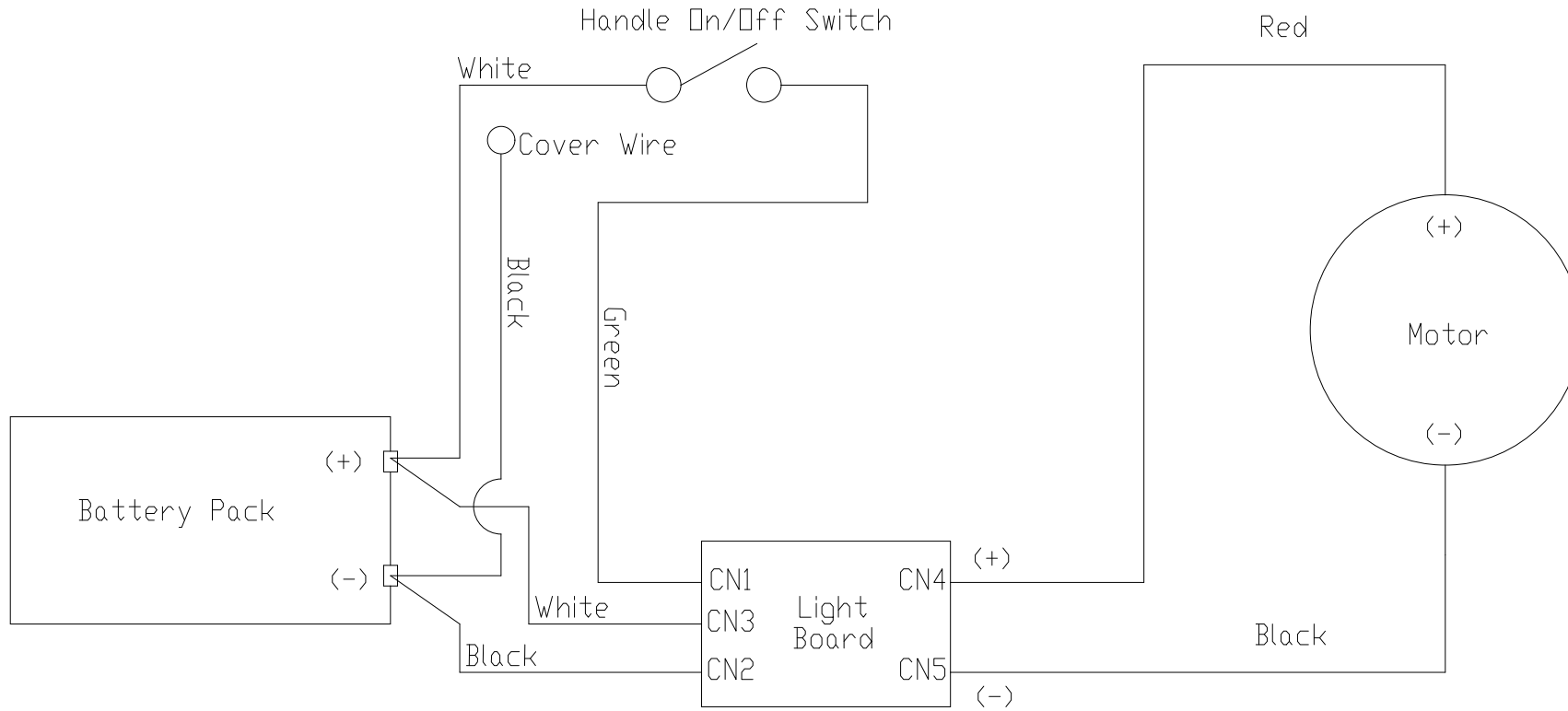
© COPYRIGHT

DIMENSIONS IN MILLIMETRES

DO NOT SCALE DRAWING

3RD ANGLE PROJECTION

A4



					MATERIAL:	GEN TOL X ±0.5 X.X ±0.2 X.XX ±0.1 ANG ±0.5°	TRUVOX INTERNATIONAL LIMITED	
					FINISH:	SCALE: X : X DRN CKD	TITLE:	PART NO.
1	N/A	NEW DRAWING	JW	13-Sep-19		JW	VBU Wiring Diagram	09-1170-0000
ISSUE	ECN	CHANGES	INT	DATE				